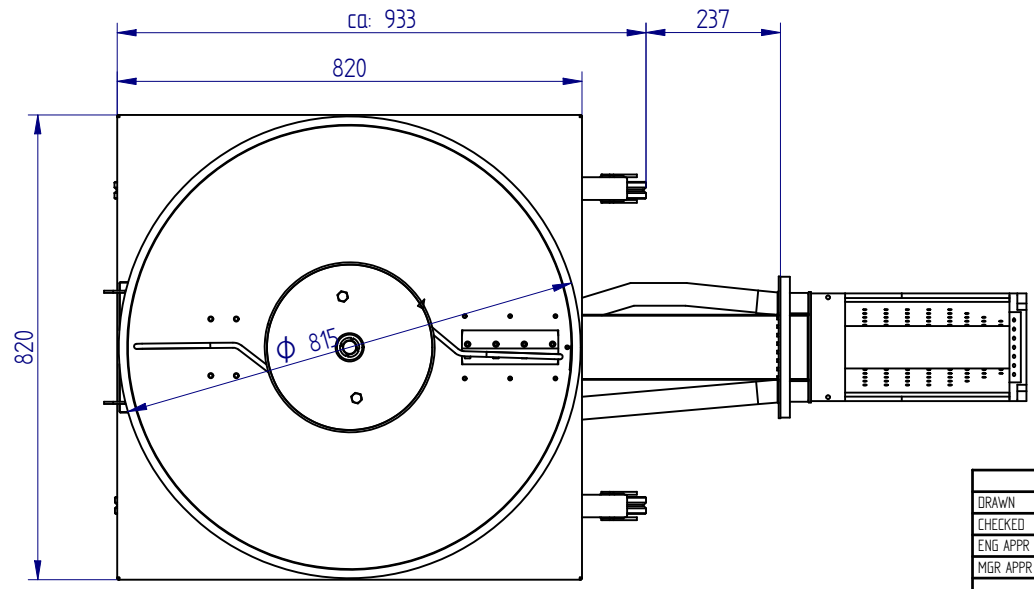
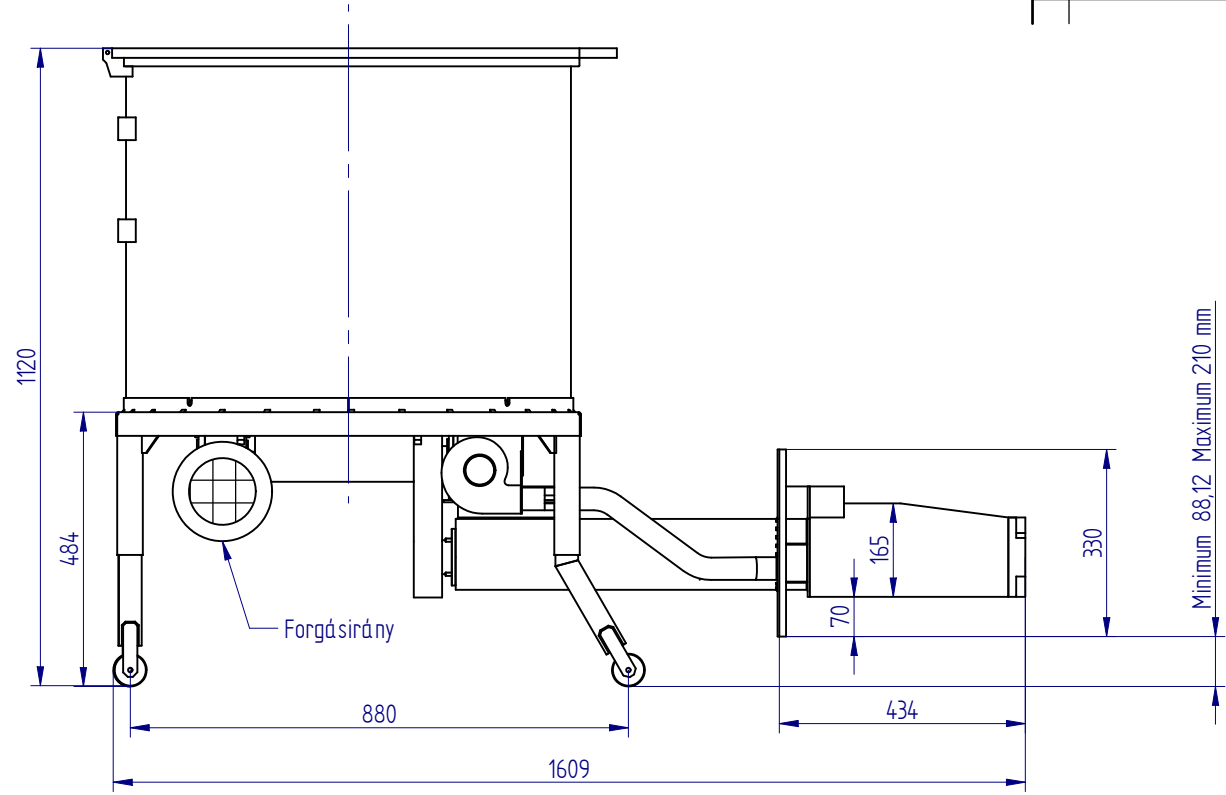
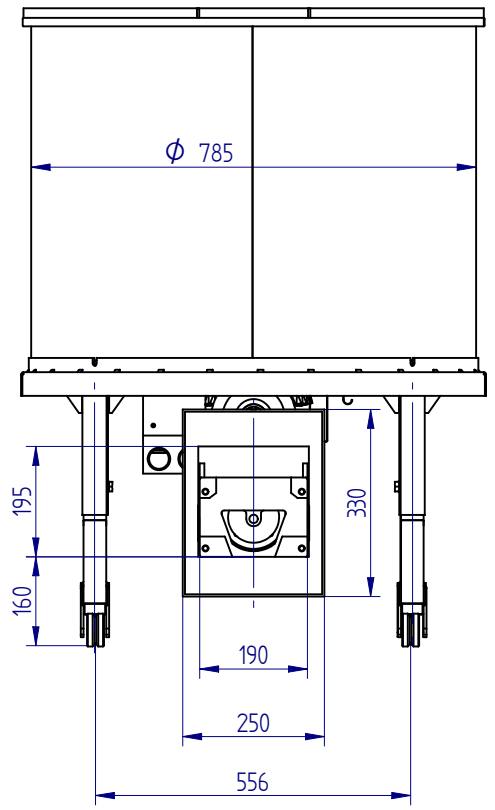


REVISION HISTORY			
REV	DESCRIPTION	DATE	APPROVED



Minimum 88,12 Maximum 210 mm

DRAWN	NAME	DATE		
CHECKED		05/21/08		
ENG APPR			TITLE	
MGR APPR			Aprítékégető 50KW	
	SIZE	DWG NO	REV	
	A2			
	FILE NAME: osszedLi114s.dft			
	SCALE:	WEIGHT:	SHEET 1 OF 1	